

- A) Pressure Inlet
- B) Stage 1 Pressure Out  
Stage 3 - Plugged
- C) Stage 1 pump Supply

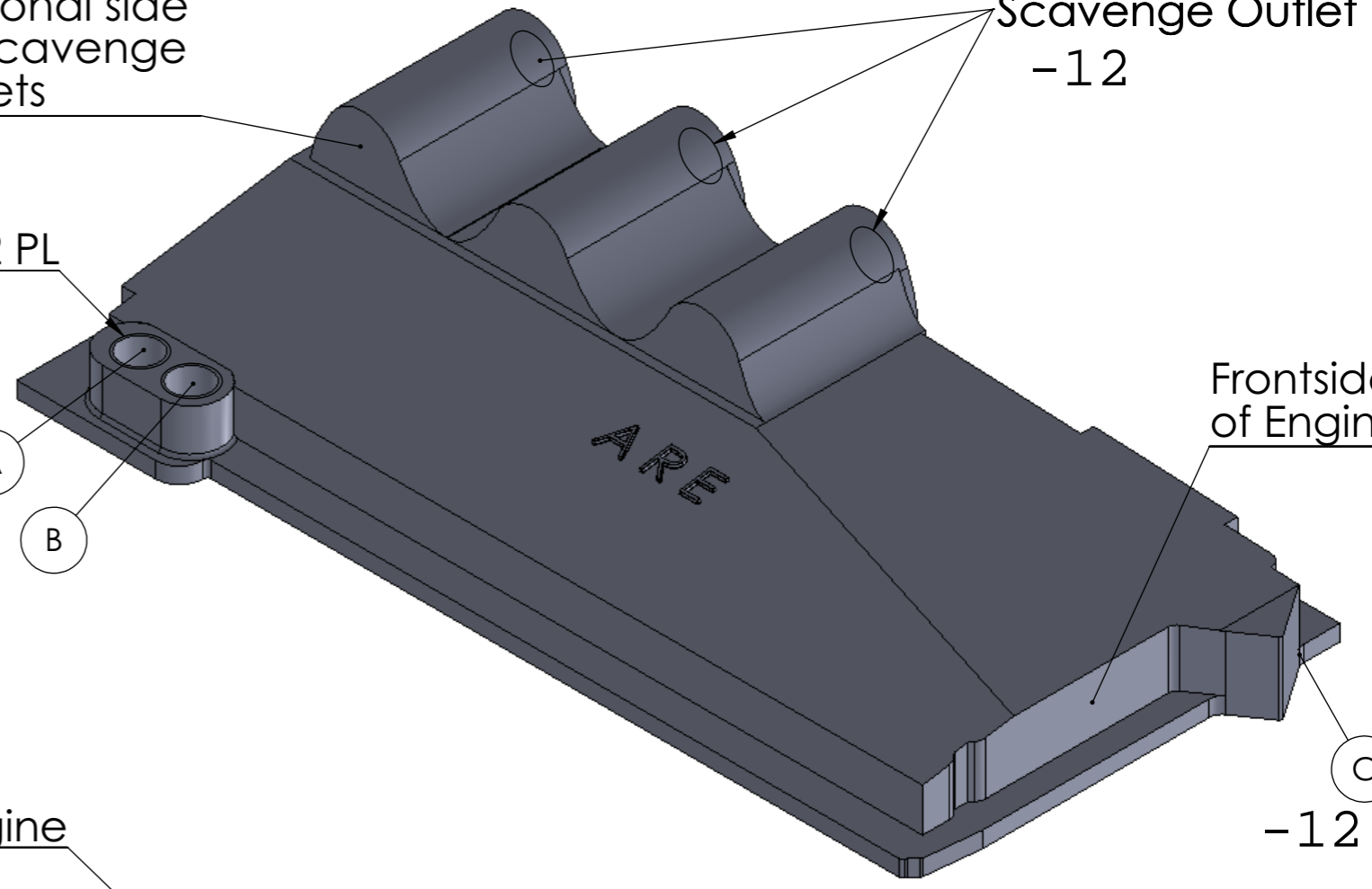
Optional side  
for scavenge  
outlets

Scavenge Outlet  
-12

-10 An 2 PL

A  
B

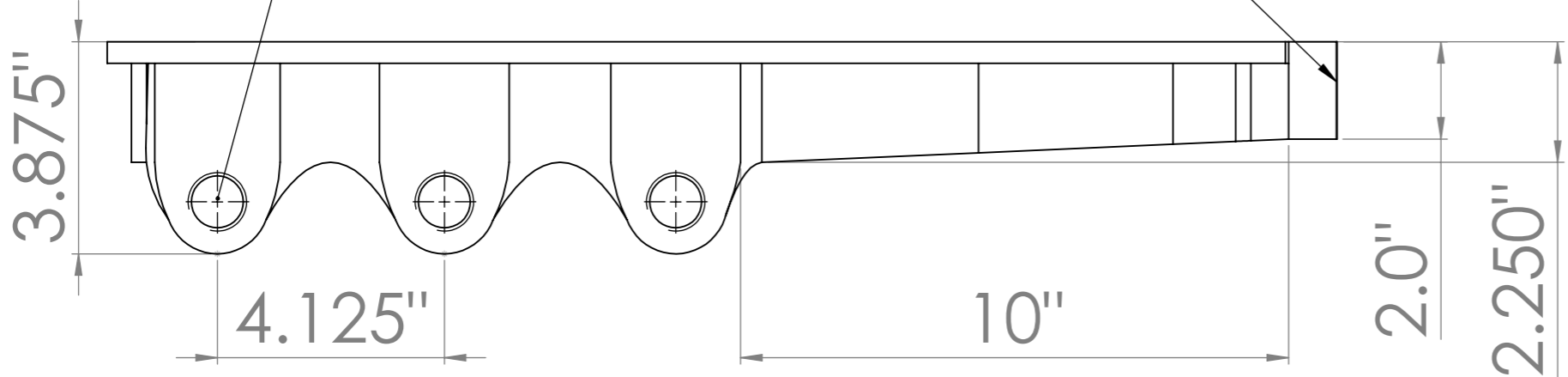
Frontside  
of Engine



-12 An 3 PL

Frontside of Engine

Frontside of Engine



Sizes in Inches



Part #	#1004	#1005
TITLE:	A R E DRYSUMP WWW.DRYSUMP.COM	
DWG NO.	Oilpan LS 1-6	A3
SCALE:1:2	SHEET 1 OF 1	